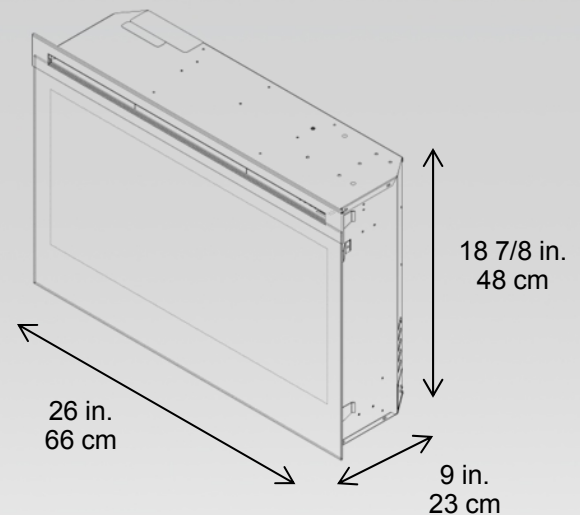
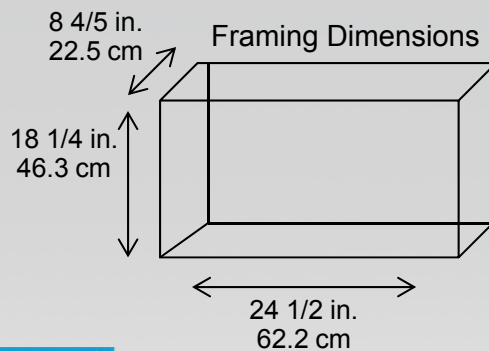


## 25" Self-trimming Electric Firebox

DF2550

### Product Description

- Patented electric flame technology
- Pulsating embers with hand finished logs molded from wood logs for incredible realism
- On-demand heat with thermostat control
- Clean, self-trimming design – no separate trim required
- Year-round comfort - operates with flame only or flame and heat
- Contains removable plug for direct wire applications
- Safe, clean electric operation
- 120 Volts / 880 Watts / 3,000 BTU



Includes on / off remote control



No carbon monoxide or emissions, glass stays cool-to-touch

| Model # | Description                                    | lbs/kg    | UPC           | Wty. † | Carton Dimensions (W x H x D) |                    | Cube            |                |
|---------|--|-----------|---------------|--------|-------------------------------|--------------------|-----------------|----------------|
|         |  |           |               |        | Inches                        | cm                 | ft <sup>3</sup> | m <sup>3</sup> |
| DF2550  | 25" Self-trimming widescreen electric firebox. | 39.6 / 18 | 781052 057395 | 2 yr.  | 29.6 x 23.4 x 12.9            | 75.2 x 59.4 x 32.8 | 5.2             | 0.15           |

Patent protected: for a complete list of applicable patents visit: [www.dimplex.com/patents](http://www.dimplex.com/patents). Specifications, finishes and dimensions are subject to change and should be taken as a guide only.

\* Based on average national residential electricity rates. Rates vary. † Limited warranty. © 2011 Dimplex North America Limited.