

WHARF

FREESTANDING CENTREPIECE



Freedom, flexibility and eco-friendly functionality – EcoSmart’s freestanding bioethanol fireplaces add warmth, style and ambiance to living and entertaining spaces. Cleverly refashioning the traditional fireplace concept into a piece of portable fire furniture means that you can now enjoy the simple pleasures of an open fire in more places than ever before.

Relocate With Ease

Bioethanol outdoor fireplaces relocate with ease, and this portability is greatly enhanced by the self contained engineering of the EcoSmart system. There is no need for a utility connection, which means you can transform the look and feel of your outdoor entertaining area when desired.

Or, leave your fireplace in a permanent position on the patio and design an enchanting outdoor space using the fireplace as the focal point. It has never been this easy to design a backyard or courtyard that feels so inviting.

Optional Fire Screens

Pair with a toughened glass fire screen, which stabilises the flame in windy conditions and provides additional safety and comfort.

Decorative Media

Concrete models come with decorative media. Natural and bone concrete models come with white decorative media. Graphite and rust concrete models come with black decorative media (subject to change).



Environmentally-Friendly

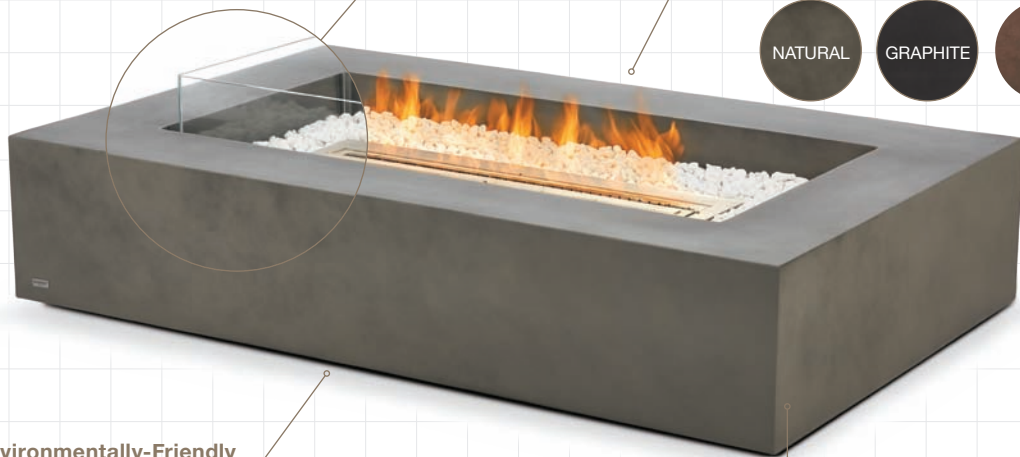
Bioethanol fireplaces use an environmentally-friendly, renewable energy source that burns clean and delivers warming heat. You and your guests will enjoy the ambiance and tranquility of a real fire, without the hassles of burning real wood - no more embers, ash, and soot to clean up.

Quick and Easy

With no installation or building works required, simply unpack, put into position, and off you go.

Versatile and Incredibly Durable

EcoSmart portable fireplaces are versatile, incredibly durable, and are constructed of heavy-gauge glass and weather resistant materials. These appliances are designed to look great for years, and will perform admirably through all four seasons.



OPTIONAL ACCESSORIES



Fire Screens



Protective Covers



Decorative Media



Grid Cocktail Table

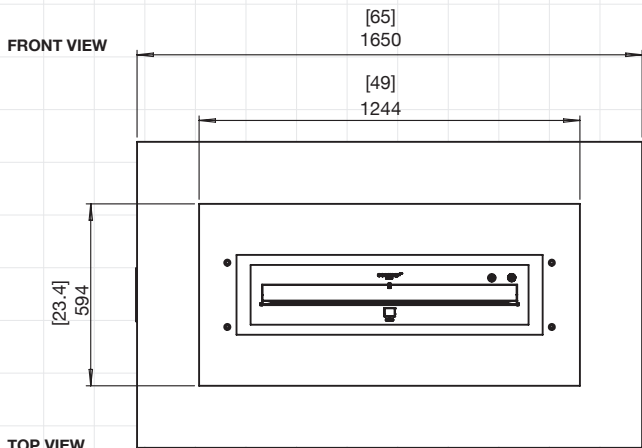
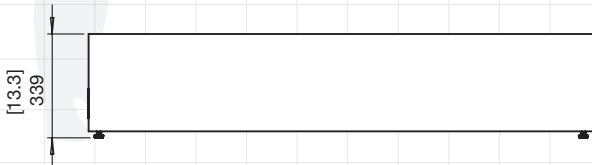


Station Stool/Side Table

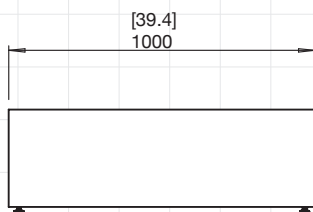


Tank Stool/Side Table

WHARF



TOP VIEW



SIDE VIEW

Not available in USA & Canada

Application	Indoor & Outdoor	
Materials	Fluid Concrete Technology, Grade 304 Stainless Steel, Included Decorative Media	
Weight	119.3kg [262.5lbs] Weight includes burner and decorative media.	
Colours* & SKU's	<ul style="list-style-type: none"> Natural Bone Graphite Rust 	<ul style="list-style-type: none"> ESF.2.O.WHF.NA ESF.2.O.WHF.BO ESF.2.O.WHF.GH ESF.2.O.WHF.RU
Optional Accessories	Fire Screen, Protective Cover, Grid, Station, Tank	

BURNER INFORMATION*

Burner	XL900
Fuel Type	e-NRG Bioethanol
Fuel Capacity	9 Litres [2.4 Gallons]
Heats on Average (when used indoors)	Over 60 square metres [645 square feet]
Burn Time	8 - 13 hours (approx)
Minimum Room Size	110 cubic metres [3884 cubic feet] per fireplace.

¥ Natural and Bone concrete models come with white decorative media. Graphite and Rust concrete models come with black decorative media (subject to change).

* The efficiency data outlined above is indicative only and may vary depending on the model purchased, weather conditions, installation and bioethanol used.

This model comes with fixing brackets for permanently locating into a fixed position.



This model is a manufacturer approved surround for the UL Listed XL900 burner.

FOR MORE INFORMATION PLEASE REFERENCE THE CLEARANCE & INSTALLATION MANUAL

Disclaimer: All product specifications and data are subject to change without notice and believed to be correct at the time of publication. The Fire Company Pty Ltd (TFC), its affiliates, agents, and employees, and all persons acting on its or their behalf (collectively, "The Fire Company"), disclaim any and all liability for any errors, inaccuracies or incompleteness contained herein or in any other disclosure relating to any product. TFC disclaims any and all liability arising out of the use or application of any product described herein or of any information provided herein to the maximum extent permitted by law. The product specifications do not expand or otherwise modify TFC's terms and conditions of purchase, including but not limited to the warranty expressed therein, which apply to these products. No license, express or implied, by estoppel or otherwise, to any intellectual property rights is granted by this document or by any conduct of TFC. Customers using or selling TFC products not expressly indicated for use in such applications do so entirely at their own risk and agree to fully indemnify TFC for any damages arising or resulting from such use or sale. Please contact authorised personnel from TFC to obtain written terms and conditions regarding products designed for such applications. Images are indicative only.